

# Arkal 3/4" Filter

Catalog No. 012000-\*\*\*\*\*

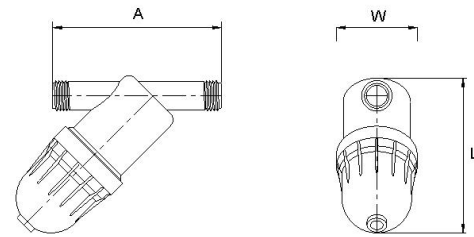


## Features

- "All plastic", with two 3/4" male connections.
- The filter element consists of grooved discs, mounted on a spine, forming a cylindrical filter element. The discs are compressed together by a spring located at the bottom of the filter cover.
- Screw-on filter cover.
- Filter discs available in various filtration grades.
- Resistant to chemicals and liquid fertilizers.

## Technical Data

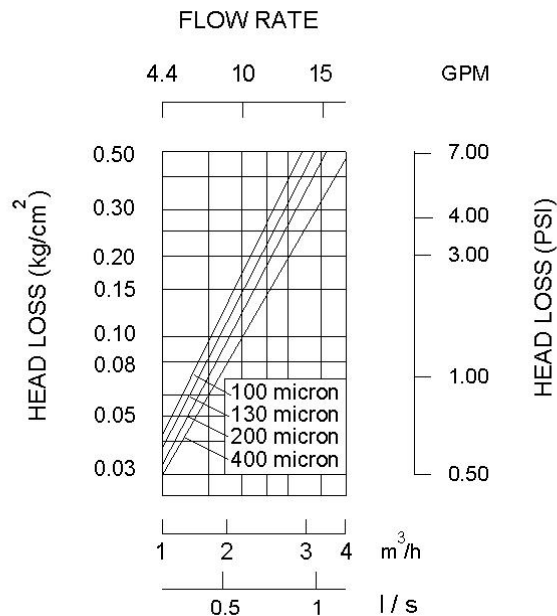
Inlet/Outlet diameter	3/4" BSPT (male)	3/4" BSPT (male)
	20 mm - nominal diameter	
	26.7 mm - pipe diameter (O. D.)	
Maximum pressure	10 bar	145 psi
Maximum flow rate	4 m <sup>3</sup> /h (1.1 l/sec)	18 gpm
Total filtration area	160 cm <sup>2</sup>	24 13/16 in <sup>2</sup>
Total filtration volume	95 cm <sup>3</sup>	5 13/16 in <sup>3</sup>
Filter length L	144 mm	5 11/16"
Filter width W	74 mm	2 29/32"
Distance between connections A	150 mm	5 29/32"
Weight	0.37 Kg	0.8 lbs
Maximum temperature	60° C	140° F
pH	3-12	3-12



## Filtration Grades

- Blue (400 micron / 40 mesh)
- Yellow (200 micron / 80 mesh)
- Red (130 micron / 120 mesh)
- Black (100 micron / 140 mesh)

## Headloss Chart



### Installation

1. Use Teflon tape on filter threads.
2. Ensure correct inlet/outlet direction.
3. When connecting filter to pipe - do not over tighten.

### Dismantling

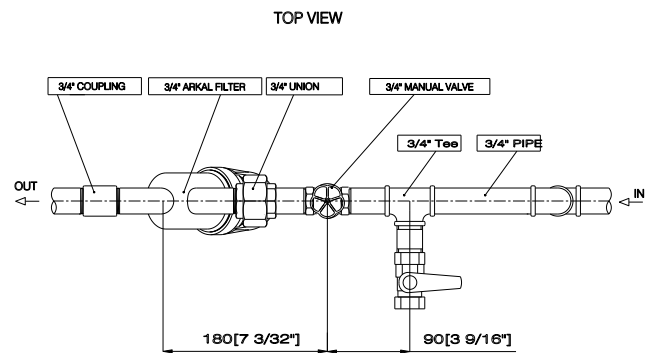
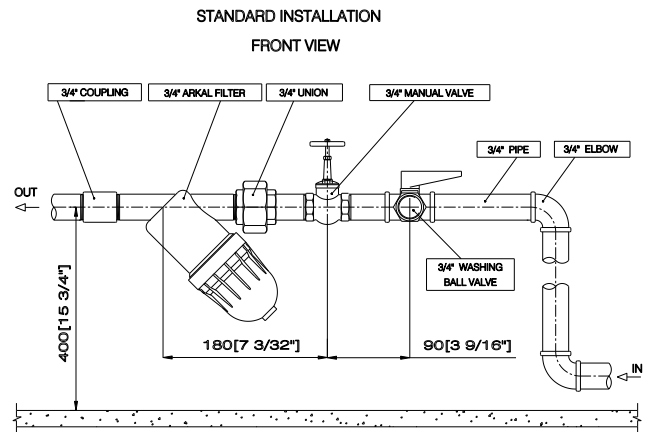
1. Make certain that no pressure remains in pipeline.
2. Unscrew cover at bottom of filter.
3. Pull out entire filter element.
4. Move tightening ring to end of spine and flush discs with pressurized water.

### Assembly

1. Verify that spring is in place inside the filter cover.
2. Assemble in reverse order.
3. Tighten filter cover securely. Do not over tighten.

### Winterization

Drain all the water from filter to avoid cracking due to freezing.



### Part List - 3/4" Filter

No.	Cat. No.	Description	Materials
1	710101-000844	Filter body	PBT
2	770101-000009	Cover o-ring	NR
	770101-000003	Cover o-ring	VITON
3	710101-000129	Stopper ring	PP
4	710101-000846	Spine tightening ring	PP
5	710101-000851	Filter spine	PP
6	700101_*****	Disc set	PP
7	760107-000001	Compression spring	SS
8	710101-000885	Filter cover	PBT
9	700101_*****	Filter element	PP

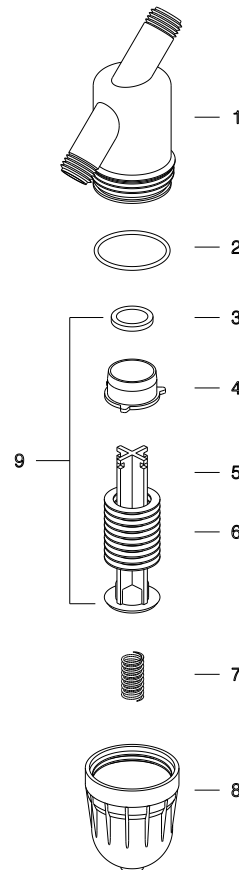
### Materials:

PBT - Polyester

SS - Stainless steel

PP - Polypropylene

NR - Nitrile rubber

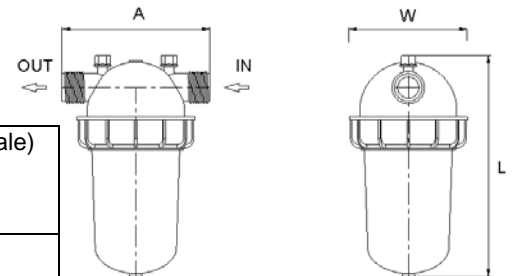


# Arkal 1" Short Filter

Catalog No. 1100 0 \_ \_ \_

## Features

- A "T" shaped filter with two 1" male threads.
- A "T" volume filter for in-line installation on 1" pipelines.
- The filter prevents clogging due to its enlarged filtering area that collects sediments and particles.
- Manufactured entirely from fiber-reinforced plastic.
- A cylindrical column of grooved discs constitutes the filter element.
- Spring keeps the discs compressed.
- Screw-on filter cover.
- Filter discs available in various filtration grades.



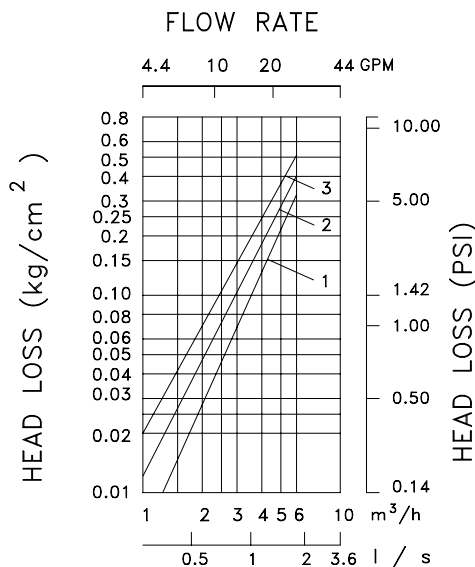
## Technical Data

Inlet/Outlet diameter	1" BSPT (male)	1" NPT (male)
	25 mm – nominal diameter	
	33.6 mm – pipe diameter (O. D.)	
Maximum pressure	10 bar	145 psi
Maximum flow rate	6 m <sup>3</sup> /h (1.7 l/sec)	26 gpm
Total filtration area	316 cm <sup>2</sup>	49 in <sup>2</sup>
Total filtration volume	379 cm <sup>3</sup>	23 in <sup>3</sup>
Filter length L	233 mm	9 3/16"
Filter width H	130 mm	5 3/32"
Distance between connections W	158 mm	6 7/32"
Weight	1.1 Kg	2.4 lbs
Maximum temperature	70° C	158° F
pH	5-11	5-11

## Filtration Grades

- Blue (400 micron / 40 mesh)
- Yellow (200 micron / 80 mesh)
- Red (130 micron / 120 mesh)
- Black (100 micron / 140 mesh)
- Green (55 micron)

## Head Loss Chart



### Installation

1. Filter may be installed either vertically or horizontally.
2. Use Teflon tape on filter end connections.
3. Never use spanners for tightening the filter cover.

### Maintenance

If the filter discs are covered with lime deposits then remove the element and treat with chloric acid.

### Dismantling

1. Turn off the water.
2. Make sure that the pressure is released from the filter.
3. Unscrew the nut cover from the filter body.
4. Pull out the filter element.
5. Move the stop ring to the end of the spine.
6. Flush the discs with the water jet.

### Assembly

1. Verify that the tightening spring is placed in the bottom of the filter cover.
2. Assemble in reverse order.
3. Tighten the cover by turning the fixing nut clockwise and don't over tighten.

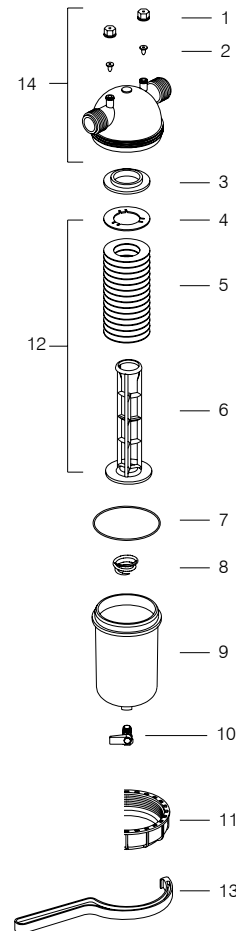
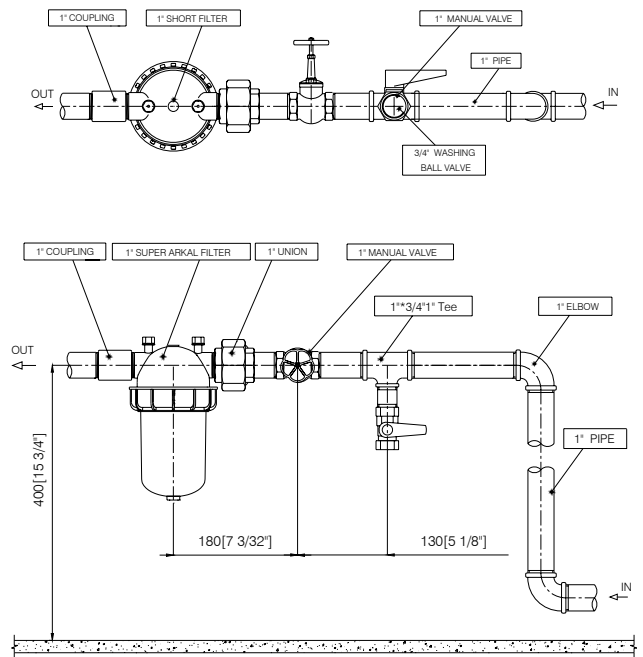
### Part List - 1" Short Filter, Catalog No. 1100 0\_ \_ \_

No.	Cat. No.	Description	Materials
1.	2511 0103	Gauge ports nut	R.PP
2.	5006 0004	Gauge ports seal	EPDM
3.	2507 0100	Filter adaptor ring	R.PP
4.	2507 0102	Stop ring for element	PBT
5.	2010 1_ _ _	Disc set	PP
6.	2502 0100	Spine	R.PP
7.	5002 9004	90x4 O-ring	N.R
8.	5044 0010	Filter spring	S.S.
9.	2501 0100	Filter cover	R.PA
10.	5054 0008	¼" Tap	BRASS
11.	2506 0100	Fixing nut	R.PA
12.	2110 1_ _ _	Filter element	
13.	2530 0115	1" - 1½" Filter wrench	R.PA
14.	2208 0001	Filter body complex BSP	
	2208 0002	Filter body complex NPT	

N.R. - Nitrile rubber

R.PP - Reinforced polypropylene

R.PA - Reinforced polyamide



# Arkal 1" Super Filter

Catalog No. 012002-\*\*\*\*\*

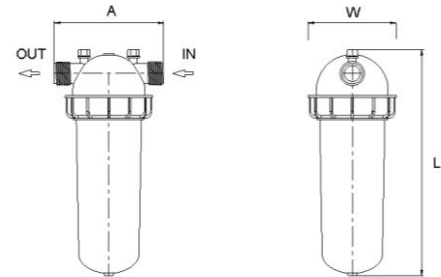
## Features

- ◆ A "T" shaped filter with two 1" male threads.
- ◆ A "T" volume filter for in-line installation on 1" pipelines.
- ◆ The filter prevents clogging due to its enlarged filtering area that collects sediments and particles.
- ◆ Manufactured entirely from fiber reinforced plastic.
- ◆ A cylindrical column of grooved discs constitutes the filter element.
- ◆ Spring keeps the discs compressed.
- ◆ Screw-on filter cover.
- ◆ Filter discs are available in various filtration grades.



## Technical Data

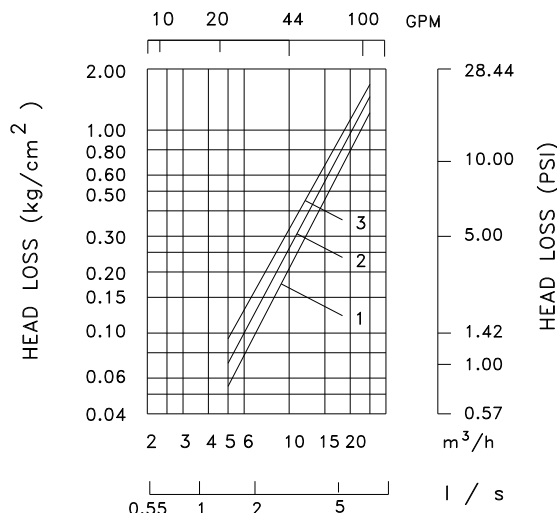
Inlet/outlet diameter	1" BSPT (male)	1" NPT (male)
	25.0 mm – nominal diameter	
	33.6 mm – pipe diameter (O. D.)	
Maximum pressure	10 atm	145 psi
Maximum flow rate	8 m <sup>3</sup> /h (1.7 l/sec)	35 gpm
General filtration area	500 cm <sup>2</sup>	77.5 in <sup>2</sup>
Filtration volume	600 cm <sup>3</sup>	37 in <sup>3</sup>
Filter length L	340 mm	13 13/32"
Filter width W	130 mm	5 3/32"
Distance between end connections A	158 mm	6 7/32"
Weight	1.420 kg	3.13 lbs.
Maximum temperature	70° C	158 °F
pH	5-11	5-11



## Filtration Grades

- Blue (400 micron / 40 mesh)
- Yellow (200 micron / 80 mesh)
- Red (130 micron / 120 mesh)
- Black (100 micron / 140 mesh)
- Green (55 micron)

## Headloss Chart



**Installation**

1. Filter may be installed either vertically or horizontally.
2. Use Teflon tape on filter end connections.
3. Never use spanners for tightening the filter cover.

**Maintenance**

If the filter discs are covered with lime deposits then remove the element and treat with Chloric acid.

**Dismantling**

1. Turn off the water.
2. Make sure that the pressure is released from the filter.
3. Unscrew the cover from the filter body.
4. Pull out the filter element.
5. Move the sealing ring to the end of the spine.
6. Flush the discs with the water jet.

**Assembly**

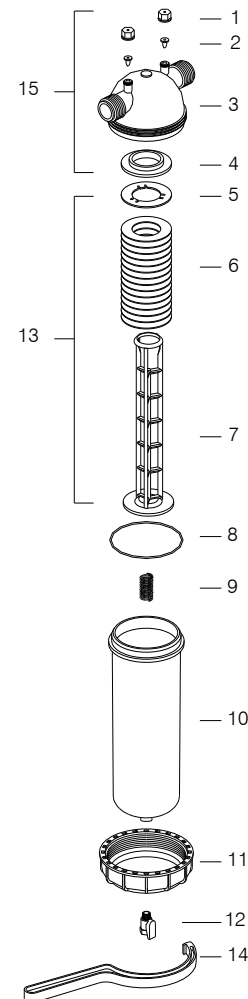
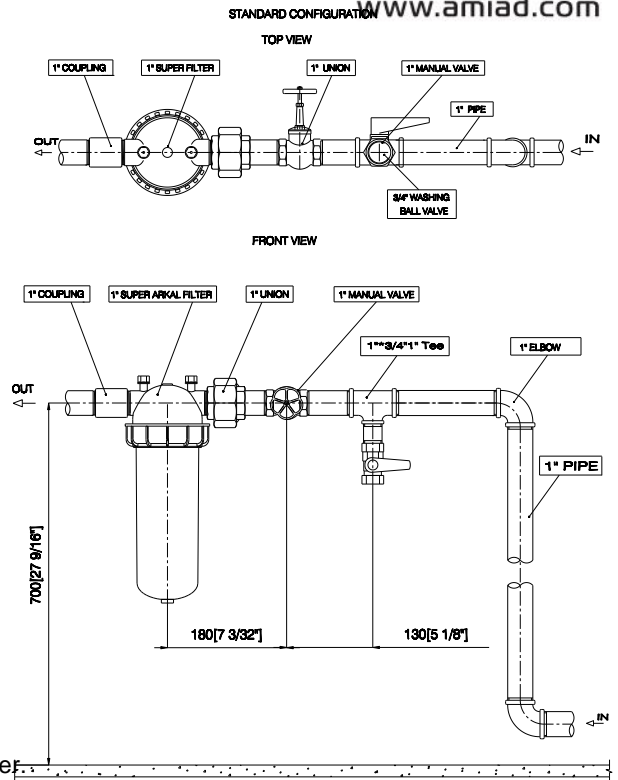
1. Verify that the tightening spring is placed at the bottom of the filter cover.
2. Assemble in reverse order.
3. Tighten the cover by turning the fixing nut clockwise and don't over tighten.

**Part List**

No.	Cat. No.	Description	Materials
1	710101-000148	Gauge port nut (single unit)	RPP
2	770104-000045	Gauge port seal (single unit)	EPDM
3	710101-000845	Filter body (BSP)	RPA
	710101-000848	Filter body (NPT)	RPA
4	710101-000854	Filter adaptor ring	RPA
5	710101-000131	Element retaining ring	PBT
6	700101-*****	Disc set	PP
7	710101-000069	Spine	RPA
8	770101-000012	O-ring 90x4	NR
9	760107-000005	Compression spring	SS
10	710101-000048	Filter cover	RPA
11	710101-000849	Fixing nut	RPA
12	730104-000006	¼" ball valve	BRASS
13	700101-*****	Filter element	PP
14	710101-000853	1"-1½" Filter wrench	RPA
15	700190-000070	Filter body complex BSP	
	700190-000071	Filter body complex NPT	

**Materials:**

- R.P.P. - Reinforced Polypropylene
- R.P.A. - Reinforced Polyamide
- S.S. - Stainless Steel
- P.P. - Polypropylene
- N.R. - Nitrile Rubber
- P.C. - Polycarbonat

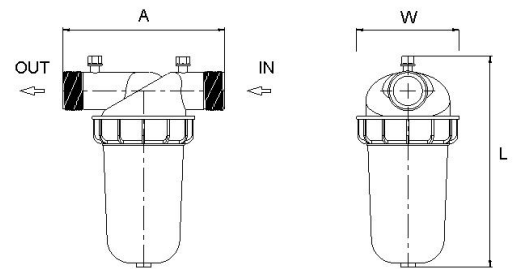


# Arkal 1½” Short Filter

Catalog No. 012003-\*\*\*\*\*

## Features

- A “T” shaped filter with two 1½” male threads.
- A “T” volume filter for in-line installation on 1½” pipelines.
- The filter prevents clogging due to its enlarged filtering area that collects sediments and particles.
- Manufactured entirely from fiber reinforced plastic.
- A cylindrical column of grooved discs constitutes the filter element.
- A sealing spring keeps the discs compressed.
- Screw-on filter cover.
- Filter discs are available in various filtration grades.



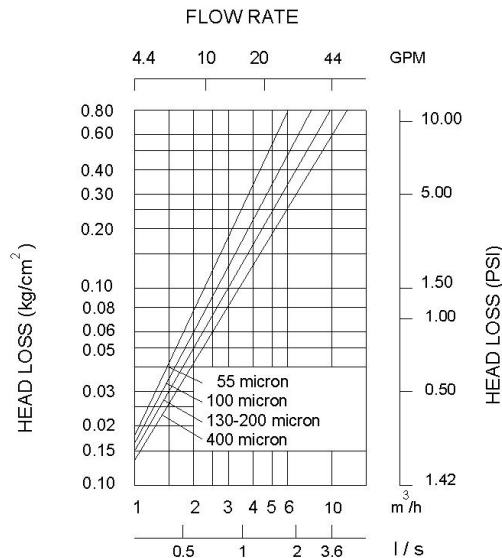
## Technical Data

Inlet/outlet diameter	1½” BSPT (male)	1½” NPT (male)
	40 mm – nominal diameter	
	48.2 mm – pipe diameter (O. D.)	
Maximum pressure	10 atm	145 psi
Maximum flow rate	8 m <sup>3</sup> /h (2.22 l/sec)	36 gpm
General filtration area	316 cm <sup>2</sup>	49 in <sup>2</sup>
Filtration volume	379 cm <sup>3</sup>	23 in <sup>3</sup>
Filter length L	250 mm	9 <sup>27</sup> / <sub>32</sub> ”
Filter width W	130 mm	5 <sup>3</sup> / <sub>32</sub> ”
Distance between end connections A	200 mm	7 <sup>7</sup> / <sub>8</sub> ”
Weight	1.3 kg	2.9 lbs.
Maximum temperature	70° C	158 °F
pH	5-11	5-11

## Filtration Grades

- Blue (400 micron / 40 mesh)
- Yellow (200 micron / 80 mesh)
- Red (130 micron / 120 mesh)
- Black (100 micron / 140 mesh)
- Green (55 micron)

## Headloss Chart



**Installation**

1. Filter may be installed either vertically or horizontally.
2. Use Teflon tape on filter end connections.
3. Never use spanners for tightening the filter cover.

**Maintenance**

If the filter discs are covered with lime deposits then remove the element and treat with chloric acid.

**Dismantling**

1. Turn off the water.
2. Make sure that the pressure is released from the filter.
3. Unscrew the cover from the filter body.
4. Pull out the filter element.
5. Move the sealing ring to the end of the spine.
6. Flush the discs with the water jet.

**Assembly**

1. Verify that the tightening spring is placed at the bottom of the filter cover.
2. Assemble in reverse order.
3. Tighten the cover by turning the fixing nut clockwise and don't over tighten.

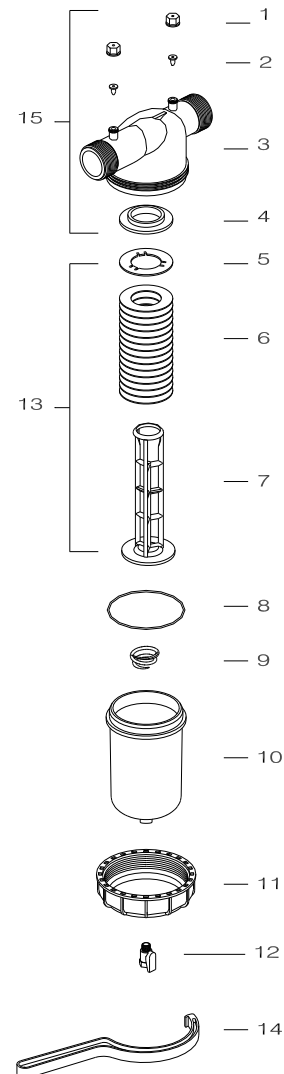
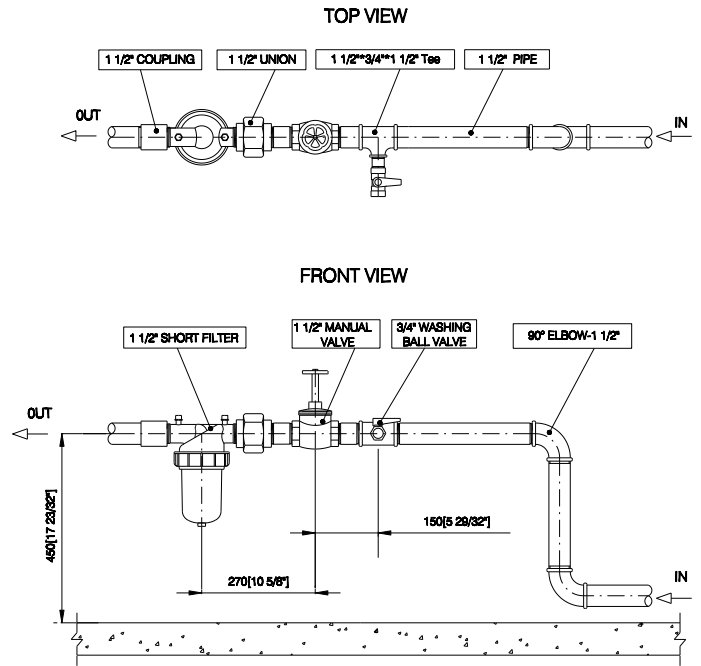
**Part List**

No.	Cat. No.	Description	Materials
1	710101-000148	Gauge port nut (single unit)	R.P.P.
2	770104-000045	Gauge port seal (single unit)	EPDM
3	710101-000001	Filter body (BSP)	R.P.A.
	710101-000002	Filter body (NPT)	R.P.A.
4	710101-000854	Filter adaptor ring	R.P.A.
5	710101-000131	Element retaining ring	PBT
6	700101-*****	Disc set	P.P.
7	710101-000068	Spine	R.P.A.
8	770101-000012	90x4 o-ring	N.R.
9	760107-000003	Compression spring	S.S.
10	710101-000843	Filter cover	R.P.A.
	710101-000837	Transparent cover	P.C.
11	710101-000849	Fixing nut	R.P.A.
12	730104-000006	¼" ball valve (*)	BRASS
13	700101-*****	Filter element	P.P.
14	710101-000853	1" filter wrench	R.P.A.
	700190-000072	Filter body complex BSP	
	700190-000073	Filter body complex NPT	

(\*) - OPTIONAL

**Materials**

R.P.P. – Reinforced polypropylene  
 R.P.A. – Reinforced polyamide  
 S.S. – Stainless steel  
 P.P. – Polypropylene  
 N.R. – Nitrile rubber  
 P.C. - Polycarbonat





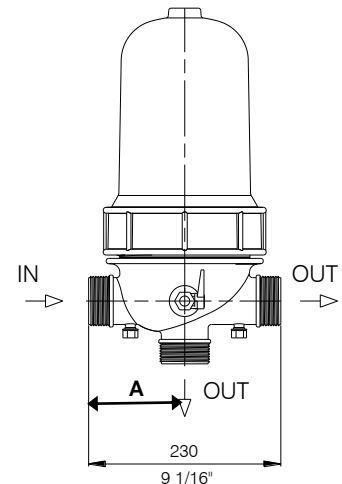
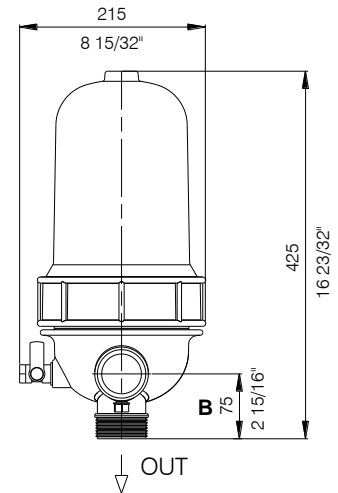
# Arkal 2" Leader Filter with a detachable spine

Catalog No. 013001-\*\*\*\*\*

## Angle/Line Filter

### Features

- 2" Outlet options – inline or angle
- Non-corrosive
- Detachable spine
- Pressure differential disc compression
- Robust design
- High volume filter with increased flow capacity
- Adapts to horizontal or vertical installation
- Easy to open and close filter cover
- Pressure testing ports are at the filters inlet and outlet
- Available in various filtration grades
- Drain ball valve



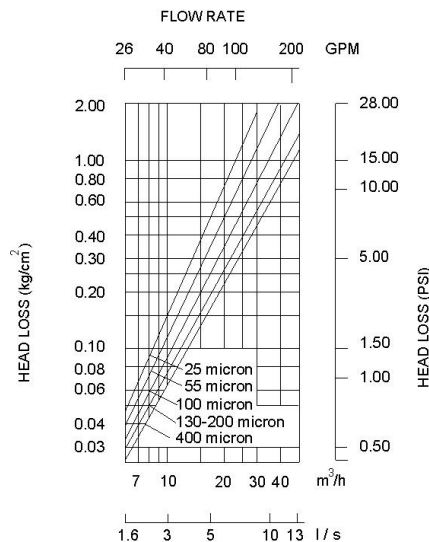
### Technical Data

Inlet/Outlet diameter	2" Male Thread	2" Male Thread
Max. Pressure	10 bar	145 psi
Max. Flow rate 400-100 micron	≤25 m <sup>3</sup> /h (6.9 l/sec)	≤110 gpm
55 micron	≤16 m <sup>3</sup> /h (4.4 l/sec)	≤70 gpm
20 micron	≤8 m <sup>3</sup> /h (2.2 l/sec)	≤35 gpm
Total filtration area	950 cm <sup>2</sup>	147 in <sup>2</sup>
Total filtration volume	1225 cm <sup>3</sup>	75.7 in <sup>3</sup>
Filter length L	425 mm	16 23/32"
Filter width W	230 mm	9 1/16"
Distance between connections	A. 115 mm B. 75 mm	A. 4 17/32" B. 2 15/16"
Weight	3.2 Kg	7 lbs
Maximum temperature	60° C	140° F
pH	2-13	2-13

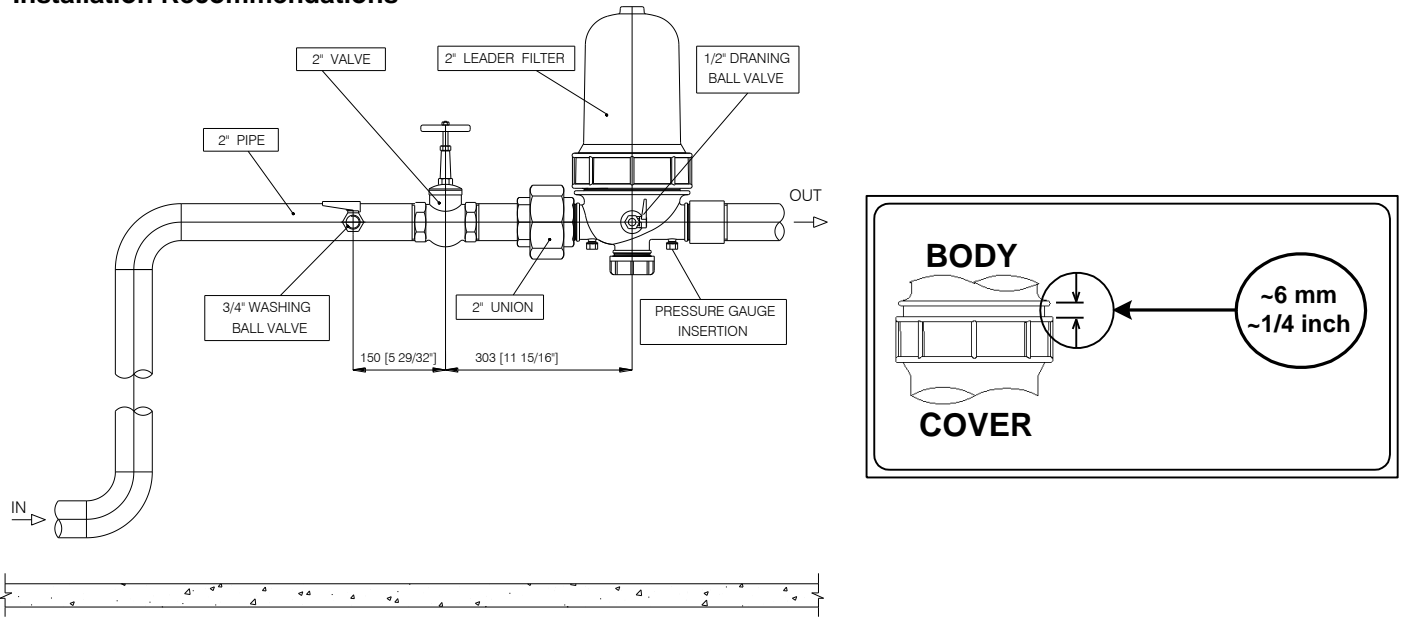
### Filtration Grades

- Blue (400 micron / 40 mesh)
- Yellow (200 micron / 80 mesh)
- Red (130 micron / 120 mesh)
- Black (100 micron / 140 mesh)
- Green (55 micron)
- Grey (20 micron)

### Headloss Chart



**Installation Recommendations**



**Dismantling**

1. Make sure that the water pressure is turned off!
2. Drain the filter through the drainage ball valve.
3. Open the filter cover, and remove it from the filter body.  
\* Please Note: Tools are not required! (Manual use only).
4. The detachable spine is loose in the cover.
5. Flush the filter element.
6. If the filter discs require acid treatment you may dip the complete filter element in acid.

**Assembly (in reverse order)**

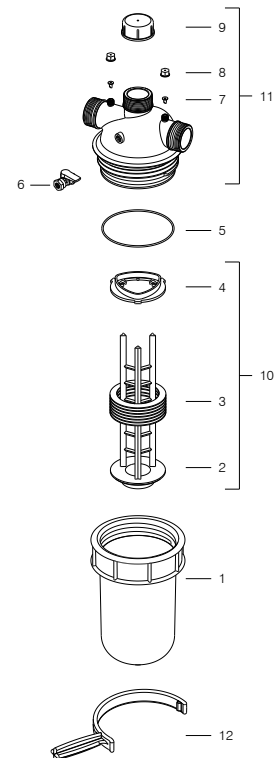
1. Position the filter element into the filter cover.
2. To verify that the element is in position, turn the cover while gently pressing on top, until it is in place.
3. Tighten the filter cover on the body and close.  
\* Please Note: Tools are not required! (Manual use only).

**Attention!**

**To verify proper closing, (without tools) please follow the instructions below.**

**Part List**

No.	Cat. No.	Description	Materials
1	710101-000055	Cover	PP
2	710101-000073	Spine	PP
3	700101-*****	Disc sets	PP
4	710101-000134	Stop ring element	PP
5	770101-000096	O-ring 144.3x5.7	EPDM
6	730104-000217	1/2" ball valve	BRASS
7	770104-000045	Gauge port seal	EPDM
8	710101-000148	Gauge port nut	RPP
9	710103-001318	2" Cap	RPA
10	700101-*****	Single filter element	PP
11	700190-000089	Threaded ends body complex	PP
12	710101-000432	Spine wrench	RPA



**Materials**

PP - POLYPROPYLENE

RPP - REINFORCED POLYPROPYLENE

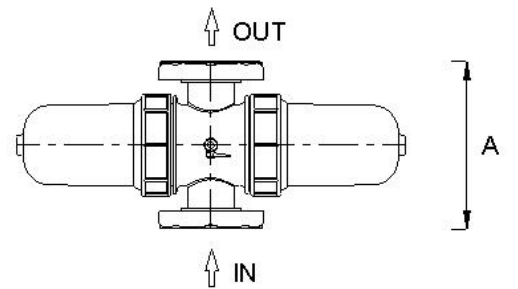
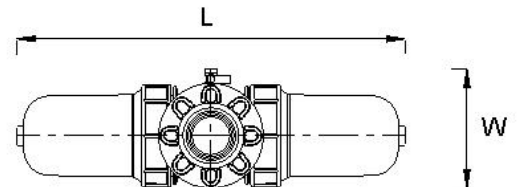
RPA - REINFORCED POLYAMIDE

# Arkal 3" Leader Twin Filter with a detachable spine

Catalog No. 014001-\*\*\*\*\*

## Features

- 3" - VIC, AR-Flange, Threaded Inlet / Outlet options
- Non-corrosive
- Detachable spine
- Pressure differential disc compression
- Robust design
- High volume filter with increased flow capacity
- Easy to open and close filter cover
- Pressure testing ports are at the filters inlet and outlet
- Available in various filtration grades
- Drain ball valve



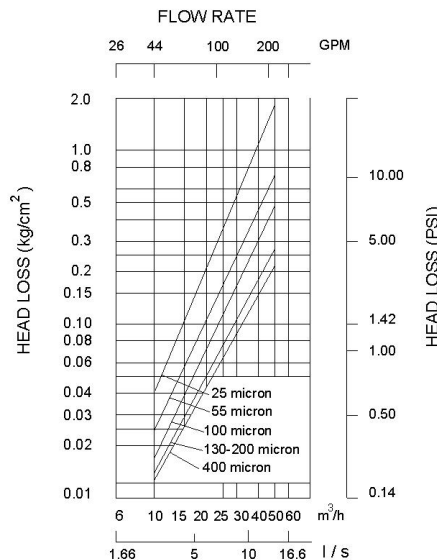
## Technical Data

Inlet/Outlet diameter	3" Arkal Flange	3" Arkal Flange
Max. Pressure	10 bar	145 psi
Max. Flow rate 400-100 micron	45 m <sup>3</sup> /h (12.5 l/sec)	198 gpm
55 micron	27 m <sup>3</sup> /h (7.4 l/sec)	119 gpm
20 micron	13 m <sup>3</sup> /h (3.6 l/sec)	57 gpm
Filtration area	1900 cm <sup>2</sup>	294.5 in <sup>2</sup>
Filtration volume	2450 cm <sup>3</sup>	174 in <sup>3</sup>
Filter width W	226 mm	8 7/8"
Filter length L	742 mm	29 11/32"
Distance between connections A	320 mm	12 19/32"
Weight (Victaulic, Threaded)	6.3 Kg	14 lbs
Weight (Flanged)	10 Kg	22 lbs
Maximum temperature	60° C	140° F
pH	2-13	2-13

## Filtration Grades

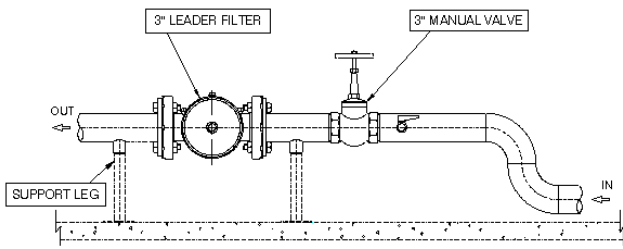
- Blue (400 micron / 40 mesh)
- Yellow (200 micron / 80 mesh)
- Red (130 micron / 120 mesh)
- Black (100 micron / 140 mesh)
- Green (55 micron)
- Grey (20 micron)

## Headloss Chart

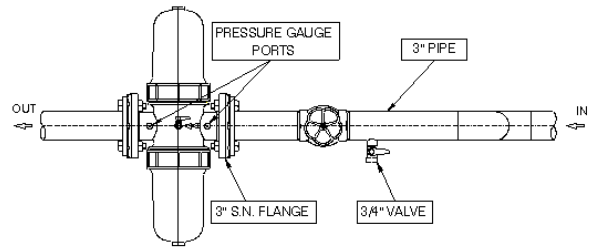


**Installation Recommendations**

FRONT VIEW



TOP VIEW



**Dismantling**

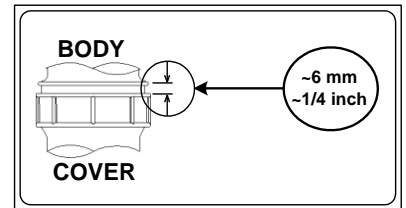
1. Make sure that the water pressure is turned off!
2. Drain the filter through the drainage ball valve.
3. Open filter cover, and remove from filter body.  
\* *Please Note:* Tools are not required! (Manual use only).
4. The detachable spine is loose in the cover.
5. Flush the filter element.
6. If the filter discs require acid treatment you may dip the complete filter element in acid.

**Assembly (in reverse order)**

1. Position the filter element into the filter cover.
2. To verify that the element is in position, turn the cover while gently pressing on top until it is in place.
3. Tighten the filter cover on the body and close.  
\* *Please Note:* Tools are not required! (Manual use only).

**Attention!**

**To verify proper closing, (without tools) please follow the instructions below.**

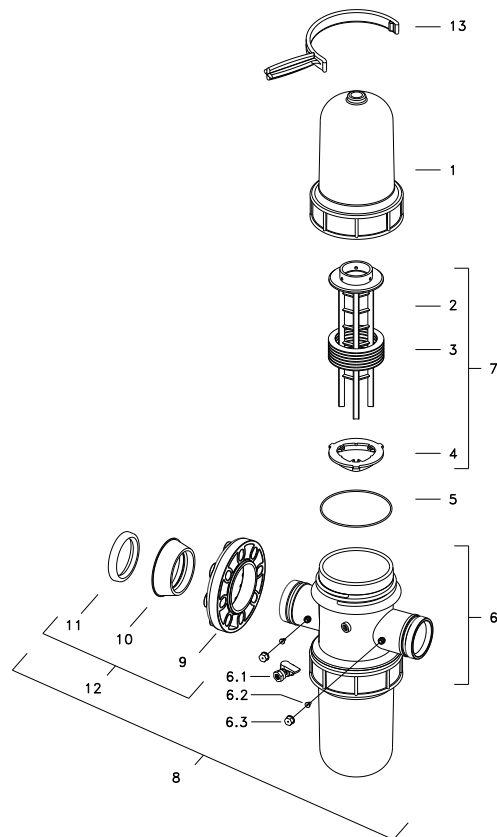


**Part List**

No.	Cat. No.	Description	Materials
1	710101-000055	Cover	PP
2	710101-000073	Spine	PP
3	700101-*****	Disc sets	PP
	700101-*****	Double disc sets	PP
4	710101-000134	Stop ring element	PP
5	770101-000096	O-ring 144.3x5.7	EPDM
6	700190-000107	Victaulic ends body complex	
6.1	730104-000217	1/2" ball valve	BRASS
6.2	770104-000045	Gauge port seal	EPDM
6.3	710101-000148	Gauge port nut	RPP
7	700101-*****	Single filter element	PP
	700101-*****	Double filter element	PP
8	700190-000113	Victaulic body complex with flange	
9	710101-000144	3" Arkal flange (ASA, DIN, BSTD)	RPA
10	710101-000135	Flange cone	POM
11	770104-000034	3" Gasket	EPDM
12	700190-000223	3" Arkal flange complete	
13	710101-000432	Cover wrench	RPA

**Materials**

- PP - POLYPROPYLENE
- RPP - REINFORCED POLYPROPYLENE
- RPA - REINFORCED POLYAMIDE
- POM - POLYOXYMETHYLENE

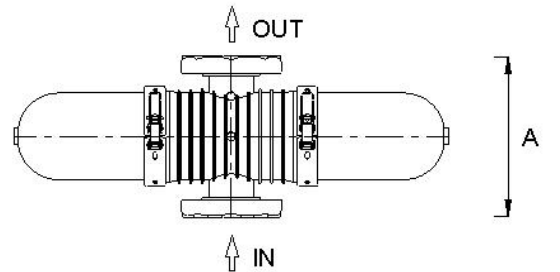
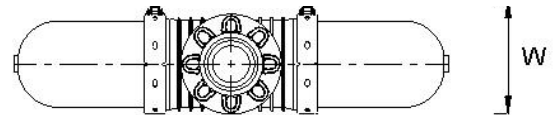


# Arkal 3" Twin Filter with a detachable spine

Catalog No. 014002-\*\*\*\*\*

## Features

- 3" - VIC, AK-flange, threaded inlet / outlet options.
- Non-corrosive.
- Detachable spine.
- Pressure differential disc compression.
- Robust design.
- High volume filter with increased flow capacity.
- Easy to open and close filter cover.
- Pressure testing ports are at the filters inlet and outlet.
- Available in various filtration grades.
- Drain ball valve.



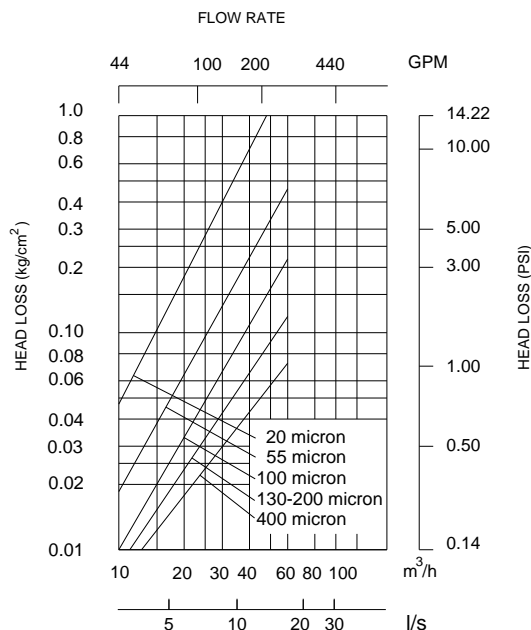
## Technical Data

	3" / 80 mm BSPT (male)	3" BSPT (male)
Inlet/outlet diameter	3" VICTAULIC 3" FLANGE	3" VICTAULIC 3" FLANGE
Maximum pressure	10 atm	145 psi
Flow rate:		
40-140 mesh (400-100 micron)	40 m <sup>3</sup> /h	176 gpm
55 micron	27 m <sup>3</sup> /h	119 gpm
20 micron	13 m <sup>3</sup> /h	57 gpm
General filtration area	1900 cm <sup>2</sup>	294 in <sup>2</sup>
Filtration volume	2450 cm <sup>3</sup>	158 in <sup>3</sup>
Filter width W	217 mm	8 <sup>9</sup> / <sub>16</sub> "
Filter length L	865 mm	34 <sup>1</sup> / <sub>16</sub> "
Distance between end connections A	320 mm	12 <sup>19</sup> / <sub>32</sub> "
Weight (flanged)	12.50 kg.	27.5 lbs
Weight (victaulic, threaded)	11 kg.	24.20 lbs
Maximum temperature	70° C	158° C
pH	5-11	5-11

## Filtration Grades

- Blue (400 micron / 40 mesh)
- Yellow (200 micron / 80 mesh)
- Red (130 micron / 120 mesh)
- Black (100 micron / 140 mesh)
- Green (55 micron)

## Headloss Chart



**Dismantling**

1. Turn off water pressure.
2. If drain valve is at the bottom of the filter, open to drain.
3. Open clamp and remove filter cover from filter body.
4. Release the tightening nut slightly.
5. Pull the detachable spine out.
6. Unscrew the tightening nut.
7. Pull out the spine extension.
8. The filter is ready for flushing.
9. If the filter discs require acid treatment: separate the element from the spine by loosening the end bolt of the inner cross.

**Assembly**

1. Place the discs into position on the disc spine.
2. Turn fixing nut clockwise to tighten discs.
3. Reinsert the detachable spine into its' seat.
4. Again, turn tightening nut clockwise to complete disc tightening.
5. Place filter cover on body.
6. Secure the clamp onto the cover and close using the lever.

**Installation**

The twin filter may be installed as a single, manually flushed unit, in a multiple backwash filter battery or as a self-flushing single filter. The two twin filter elements should always be positioned horizontally, whether end connections are pointed vertically or horizontally.

**Maintenance**

Filter discs may become covered by lime deposits. If head loss remains high after flushing, Chloric acid treatment of the discs is recommended.

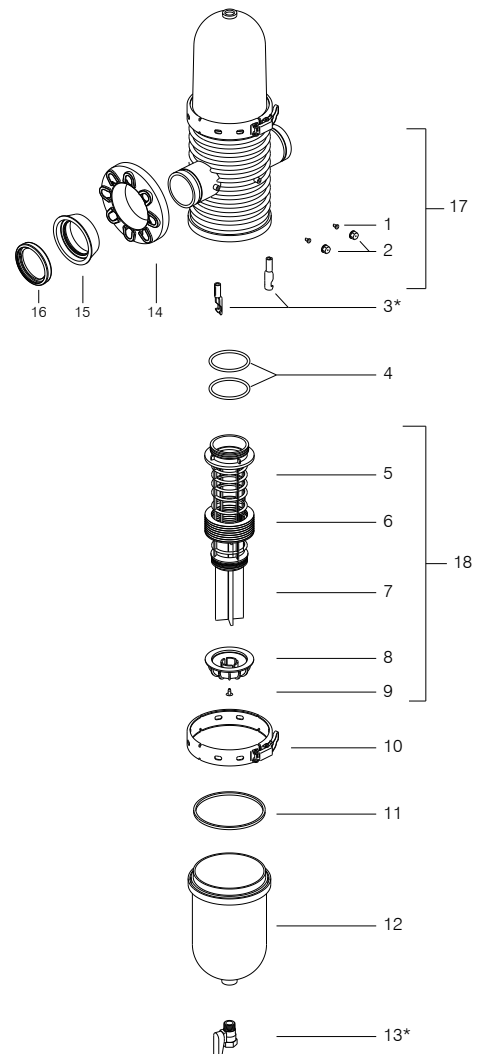
**Part List**

No.	Cat. No.	Description	Material
1	770104-000045	Gauge ports seal	EPDM
2	710101-000148	Gauge ports nut	RPP
3	710101-000155	Spine holder	RPA
4	770102-000297	O-ring 2-238	EPDM
5	710101-000437	Spine	RPP
6	700101-*****	Disc sets	PP
	700101-*****	Pair disc sets	PP
7	710101-000847	Spine extension	PP
8	710101-000434	Fixing nut	RPP
9	760101-000878	Fastening bolt	SS
10	760108-000002	Clamp	SS
11	770104-000248	Cover seal	EPDM
12	710101-000051	Filter cover	RPA
	710103-000029	Filter cover with 1/2" threaded	
	710101-000899	Transparent filter cover	
13 *	730104-000217	1/2" ball valve	BRASS
14	710101-000144	3" Ring flange (ASA, DIN, BSTD)	RPA
15	710101-000135	Cone flange	POM
16	770104-000034	3" Gasket	EPDM
17	700190-000099	Filter body complex threaded ends	
18	700101-*****	Single filter element	
	700101-*****	Double filter element	

(\* ) – Optional

**Materials**

- RPP - Reinforced Polypropylene
- RPA - Reinforced Polyamide
- PP - Polypropylene
- SS -Stainless Steel
- POM - ACETAL



# Arkal 3" Super Angle Filter

Catalog No. 015000-XXXXXX VICTAULIC CONNECTION

015000-XXXXXX ARKAL FLANGE (ASA, BSTD,DIN)

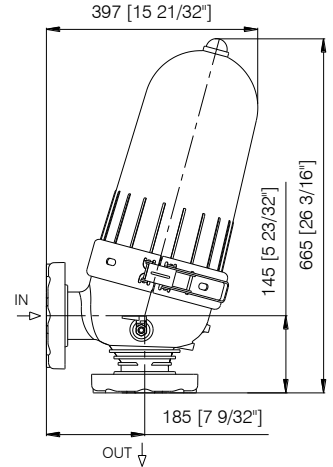
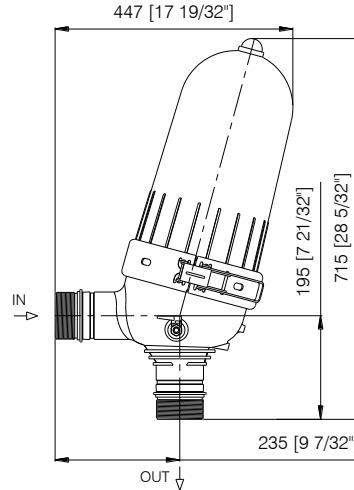
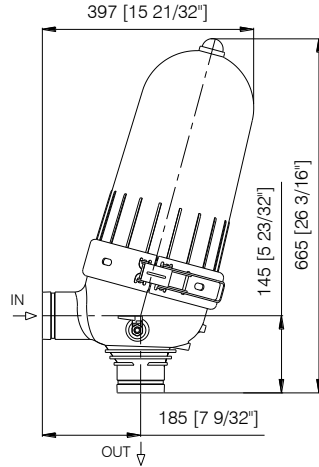
015000-XXXXXX THREADED CONNECTION



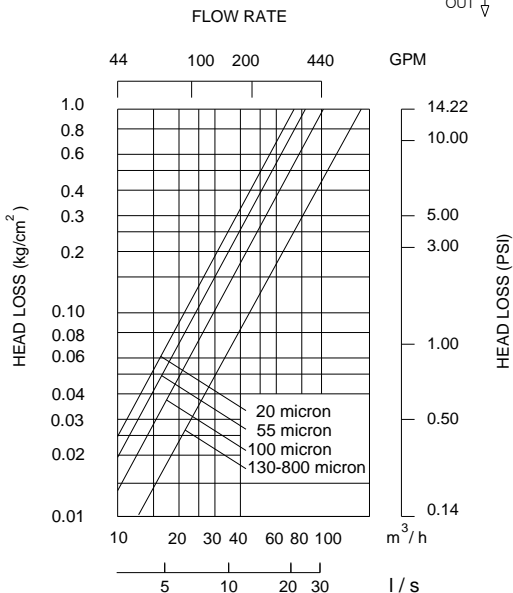
## Technical Data

Inlet/outlet diameter	90mm/ 3" Male	
End connections (optional)	3" Victaulic . 3" Threaded 3" ARKAL FLANGE	
Maximum pressure	10 bar	145 psi
Maximum flow rate	60 m <sup>3</sup> /h	264 gpm
Filtration area	1852 cm <sup>2</sup>	287 in <sup>2</sup>
Filtration volume	1744 cm <sup>3</sup>	108 in <sup>3</sup>
Filter length	700 mm	27 9/16"
Filter width	400 mm	15 3/4"

Distance between end connections	185 mm	7 9/32"
Distance between end connections (Threaded)	235 mm	8 3/32"
Distance between end connections	147 mm	5 23/32"
Distance between end connections (Threaded)	195 mm	6 17/32"
Length of filter element	347 mm	13 21/32"
Weight (victaulic connection)	10.00kg	22 lbs
Weight with ARKAL flanges	11.47kg	25.28Lbs
Maximum temperature	60° C	140° F



## Headloss Chart



## Filtration Grades

- Off-white (800 micron / 18 mesh)
- Blue (400 micron / 40 mesh)
- Yellow (200 micron / 80 mesh)
- Red (130 micron / 120 mesh)
- Black (100 micron / 140 mesh)
- Green (55 micron)
- Grey (20 micron)

**Dismantling (for cleaning)**

1. Make sure that the water inlet is turned off and pressure is released.
2. Drain the filter through the drainage ball valve.
3. Open the cover by pulling the safety pin out and lifting the clamp lever.
4. Remove the filter cover with a slight anticlockwise rotation.
5. Remove the filter element.
6. Release the spine tightening nut.
7. Pull the cap's telescopic extension to decompress the discs.
8. Rinse using a high-pressure water jet.

**Assembly**

1. Close the spine tightening nut until the discs are tightly compressed.
2. Position the filter element back in place.
3. Place the filter cover on the filter body and secure it with a slight clockwise rotation.
4. Secure the clamp onto the cover and close using the lever, insert the safety pin.

**Installation**

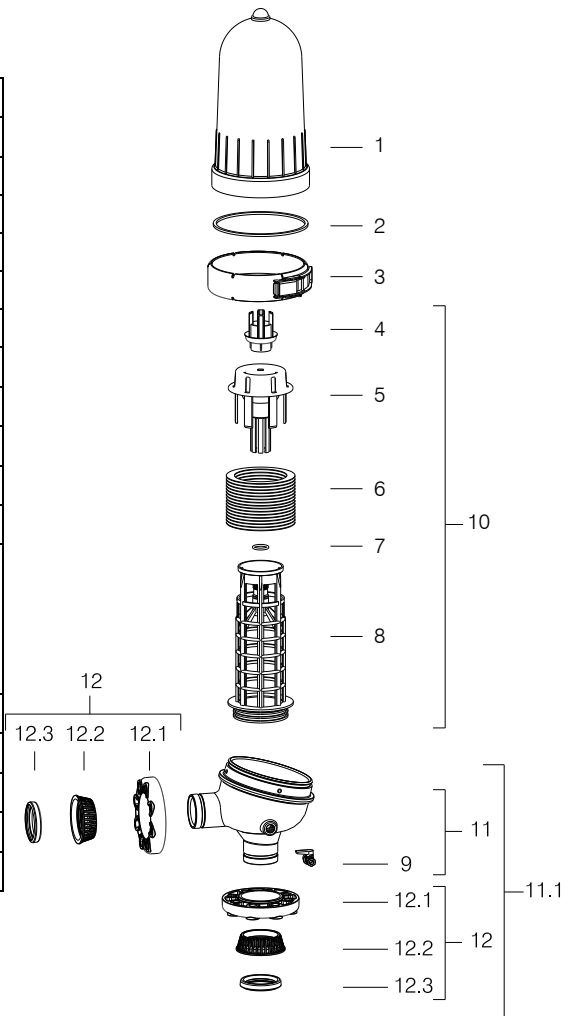
1. The 3" **SUPER ANGLE** filter may be installed horizontally or vertically.
2. A shut off valve should be installed at the filter inlet in order to close water supply for servicing.
3. A Small ball valve with a flexible hose should be connected in front of the shut off valve for manual cleaning of the filter element.

**Comments**

Flange: Bolt length – recommended 5/8" 100-110 mm. Use standard washers.

**Part List**

No.	Cat. No.	Description	Materials
1	710101-000057	Filter cover	PP
2	770104-000254	Hydraulic seal	EPDM
3	760108-000122	Clamp	S.S
4	710101-000108	3"-4" Spine tightening nut	R.PP
5	710103-000374	3"-4" Spine cap	R.PP
6	700101-XXXXXX	Disc set	PP
7	770102-000028	O-ring 2-220	EPDM
8	710101-000074	3"-4" Spine 99	R.PP
9	730104-000217	1/2" ball valve	BRASS
10	700101-XXXXXX	3"-4" Filter element	
	700101-000233	3"-4" Spine (without disc set)	
11	700190-000124	3" body complex victaulic ends	
	700190-000123	3" body complex threaded ends	
11.1	700190-000128	3" body complex flange ends	
12	700190-000223	3" AK Flange	
12.1	710101-000144	Loose flange	R.P.A
12.2	710101-000135	Cone flange	POM
12.3	770104-000034	3" Gasket style 90	EPDM



**Materials**

- R.PP. - Reinforced Polypropylene
- R.PA. - Reinforced Polyamide
- S.S. - Stainless Steel
- PP - Polypropylene
- POM- Polyacetal



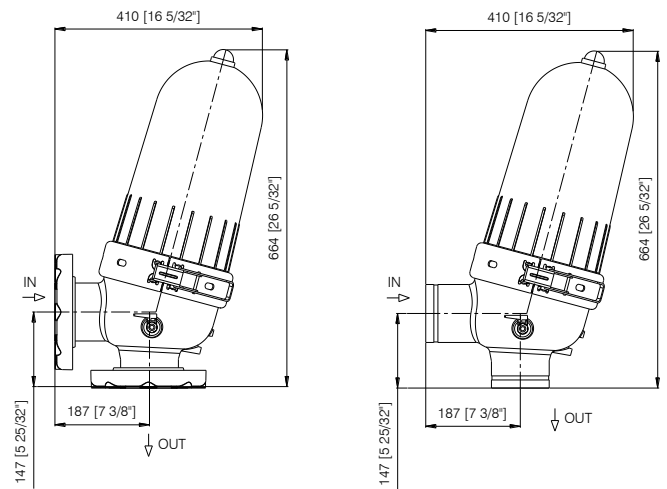
# Arkal 4" Super Angle Filter

Catalog No. 015001-\*\*\*\*\*



## Technical Data

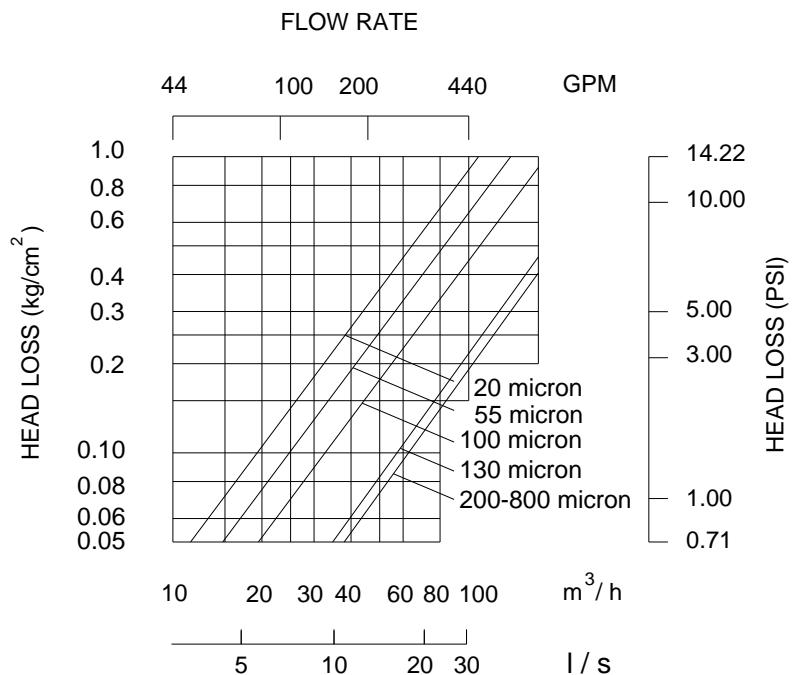
Inlet/outlet diameter	110mm/ 4"	
End connections (optional)	4" Victaulic . 4" ARKAL FLANGE	
Maximum pressure	10 bar	145 psi
Maximum flow rate	90 m <sup>3</sup> /h	396 gpm
Filtration area	1852 cm <sup>2</sup>	287 in <sup>2</sup>
Filtration volume	1744 cm <sup>3</sup>	108 in <sup>3</sup>
Filter length	700 mm	27 <sup>9</sup> / <sub>16</sub> "
Filter width	410 mm	15 <sup>3</sup> / <sub>4</sub> "
Distance between end connections	187 mm	7 <sup>9</sup> / <sub>32</sub> "
Distance between end connections	147 mm	5 <sup>23</sup> / <sub>32</sub> "
Length of filter element	347 mm	13 <sup>21</sup> / <sub>32</sub> "
Weight (victaulic connection)	10.6kg	23.32 lbs
Weight with ARKAL flanges	14.1kg	31.02 lbs
Maximum temperature	60° C	140° F



## Filtration Grades

- Off-white (800 micron / 18 mesh)
- Blue (400 micron / 40 mesh)
- Yellow (200 micron / 80 mesh)
- Red (130 micron / 120 mesh)
- Black (100 micron / 140 mesh)
- Green (55 micron)
- Grey (20 micron)

## Headloss Chart



**Dismantling (for cleaning)**

1. Make sure that the water inlet is turned off and pressure is released.
2. Drain the filter through the drainage ball valve.
3. Open the cover by pulling the safety pin out and lifting the clamp lever.
4. Remove the filter cover with a slight anticlockwise rotation.
5. Remove the filter element.
6. Release the spine tightening nut.
7. Pull the cap's telescopic extension to decompress the discs.
8. Rinse using a high-pressure water jet.

**Assembly**

1. Close the spine tightening nut until the discs are tightly compressed.
2. Position the filter element back in place.
3. Place the filter cover on the filter body and secure it with a slight clockwise rotation.
4. Secure the clamp onto the cover and close using the lever, insert the safety pin.

**Installation**

1. The 4" **SUPER ANGLE** filter may be installed horizontally or vertically.
2. A shut off valve should be installed at the filter inlet in order to close water supply for servicing.
3. A small ball valve with a flexible hose should be connected in front of the shut off valve for manual cleaning of the filter element.

**Comments**

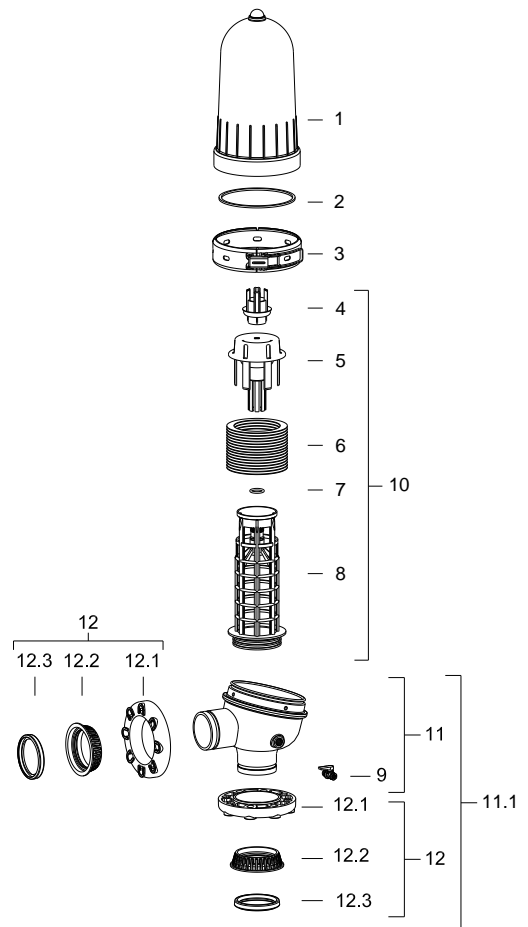
Flange: Bolt length – recommended 5/8" 110-120mm. Use standard washers.

**Part List**

No.	Cat. No.	Description	Materials
1	710101-000057	Filter cover	PP
2	770104-000254	Hydraulic seal	EPDM
3	760108-000135	Clamp	S.S
4	710101-000108	3"-4" Spine tightening nut	R.PP
5	710103-000374	3"-4" Spine cap	R.PP
6	700101-*****	Disc set	PP
7	770102-000028	O-ring 2-220	EPDM
8	710101-000074	3"-4" Spine 99	R.PP
9	730104-000217	1/2" ball valve	BRASS
10	700101-*****	3"-4" Filter element	
	700101-000233	3"-4" Spine (without disc set)	
11	700190-000142	4" body complex victaulic ends	
11.1	700190-000145	4" body complex flange ends	
12	700190-000227	4" AK Flange	
12.1	710101-000901	Loose flange	R.P.A
12.2	710101-000431	Cone flange	POM
12.3	770104-000253	4" Gasket style 90	EPDM

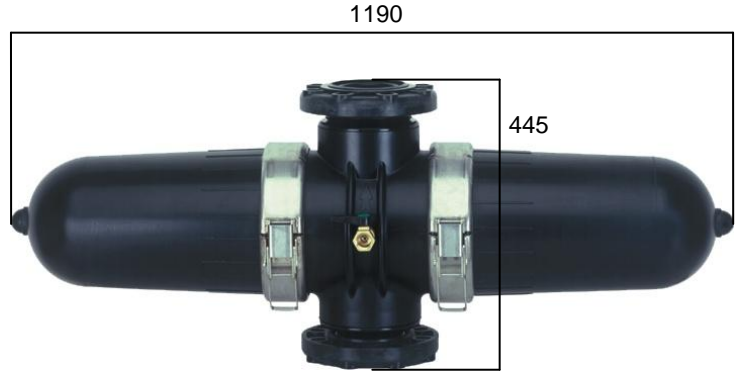
**Materials**

- R.PP. - Reinforced Polypropylene
- R.PA. - Reinforced Polyamide
- S.S. - Stainless Steel
- PP - Polypropylene
- POM- Polyacetal



# Arkal 4" Super Leader Filter

Catalog No. 015500-\*\*\*\*\*



## Features

- High corrosion resistance
- High flow capacity
- Pressure differential disc compression
- Large filtration area
- Detachable spine
- Robust design
- Drain ball valve
- Available in seven filtration grades

## Dismantling

1. Make sure that the water inlet is turned off and pressure is released.
2. Drain the filter through the drainage ball valve.
3. Open the cover by pulling the safety pin out and lifting the clamp lever.
4. Remove the filter cover with a slight anticlockwise rotation.
5. Remove the filter element.
6. Release the spine-tightening nut.
7. Pull the cap's telescopic extension to decompress the discs.
8. Rinse using a high-pressure water jet.

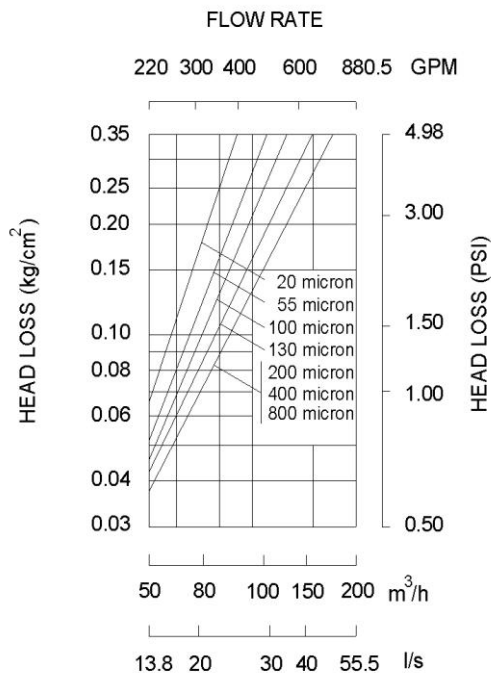
## Assembly

1. Close the spine tightening nut until the discs are tightly compressed.
2. Position the filter element back in place.
3. Place the filter cover on the filter body and secure it with a slight clockwise rotation.
4. Secure the clamp onto the cover and close using the lever, insert the safety pin.

## Filtration Grades

Off-white	(800 micron / 18 mesh)
Blue	(400 micron / 40 mesh)
Yellow	(200 micron / 80 mesh)
Red	(130 micron / 120 mesh)
Black	(100 micron / 140 mesh)
Green	(55 micron)
Grey	(20 micron)

## Headloss Chart



## Comments

1. Flange: Bolt length – recommended 5/8" 100-110mm. Use standard washers.
2. 3/4" drain valve to be assembled by the user. The valve is sealed by an o-ring. No need for additional sealing materials.

**Technical Data**

Inlet/Outlet diameter	110 mm	4"
Max. pressure	10 bar	145 psi
Max. flow rate 400-100 micron	100 m <sup>3</sup> /h	440 gpm
Filtration area	3704 cm <sup>2</sup>	574 in <sup>2</sup>
Filtration volume	3548 cm <sup>3</sup>	216 in <sup>3</sup>
Filter length	1190 mm	47"
Filter width	330 mm	13"
Distance between connections *	445 mm	17.5"
Weight	FL. 24 Kg	52.8 lbs
	VIC. 22 Kg	48.4 lbs
Maximum temperature	60° C	140° F
pH	2-13 (at 20°C)	2-13 (at 68°F)

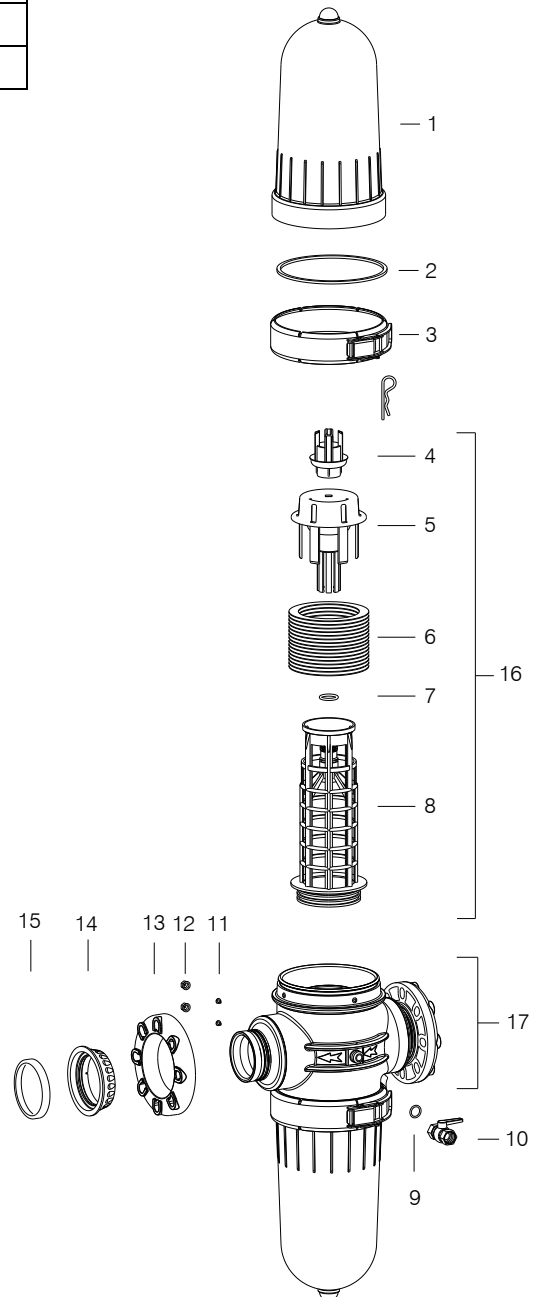
\* Optional – 415 mm / 16.3" for old version victaulic ends.

**Part List**

No.	Cat. No.	Description	Materials
1.	710101-000057	Filter cover	PP
2.	770104-000254	Hydraulic seal	EPDM
3.	760108-000122	Clamp	SS
4.	710101-000108	3"-4" spine tightening nut	RPP
5.	710103-000374	3"-4" spine cap	RPP
6.	700101-*****	Disc set	PP
7.	770102-000028	O-ring 2-220	EPDM
8.	710101-000074	3"-4" spine 99	RPP
9.	770102-000043	O-ring 2-311	EPDM
10.	730104-000231	¾" ball valve	BRASS
11.	770104-000045	Gauge port seal	EPDM
12.	710101-000148	Gauge port nut	RPP
13.	710101-000901	4" AK flange	RPA
14.	710101-000431	Flange clamp ring	POM
15.	770104-000253	Gasket 4" style 90	EPDM
16.	700101-*****	3"-4" filter element 99	
	700101-000233	3"-4" spine 99 (w/o disc set)	
17.	700190-000133	4" body complex victaulic ends	
18.	700190-000134	4" short body complex victaulic ends	

**Materials:**

- RPP - Reinforced polypropylene
- PP - Polypropylene
- RPA - Polyamide
- POM - Polyacetal
- SS - Stainless Steel



# Arkal 6" SUPER LEADER Filter

Catalog No. 015501-



## Features

- High corrosion resistance
- High flow capacity
- Pressure differential disc compression
- Large filtration area
- Detachable spine
- Robust design
- Drain ball valve
- Available in seven filtration grades

## Dismantling

1. Make sure that the water inlet is turned off and pressure is released.
2. Drain the filter through the drainage ball valve.
3. Open the cover by pulling the safety pin out and lifting the clamp lever.
4. Remove the filter cover with a slight anticlockwise rotation.
5. Remove the filter element.
6. Release the spine tightening nut.
7. Pull the cap's telescopic extension to decompress the discs.
8. Rinse using a high pressure water jet.

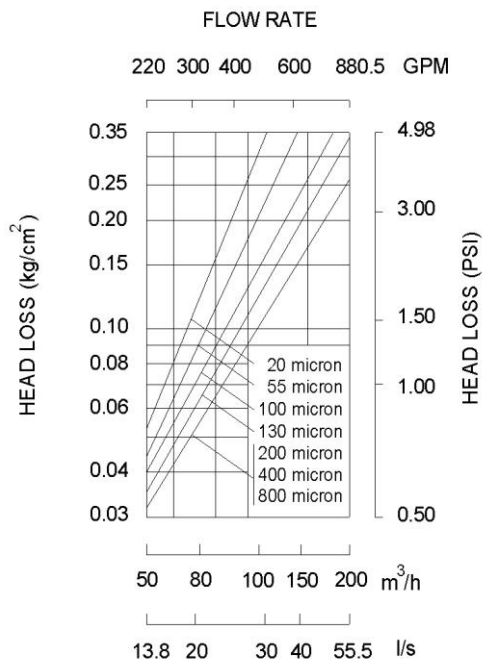
## Assembly

1. Close the spine tightening nut until the discs are tightly compressed.
2. Position the filter element back in place.
3. Place the filter cover on the filter body and secure it with a slight clockwise rotation.
4. Secure the clamp onto the cover and close using the lever, insert the safety pin.

## Filtration Grades

- 20 Micron - Grey
- 55 Micron - Green
- 100 Micron / 140 Mesh - Black
- 130 Micron / 120 Mesh - Red
- 200 Micron / 80 Mesh - Yellow
- 400 Micron / 40 Mesh - Blue
- 800 Micron / 18 Mesh - Off-white

## Headloss Chart



## Comments

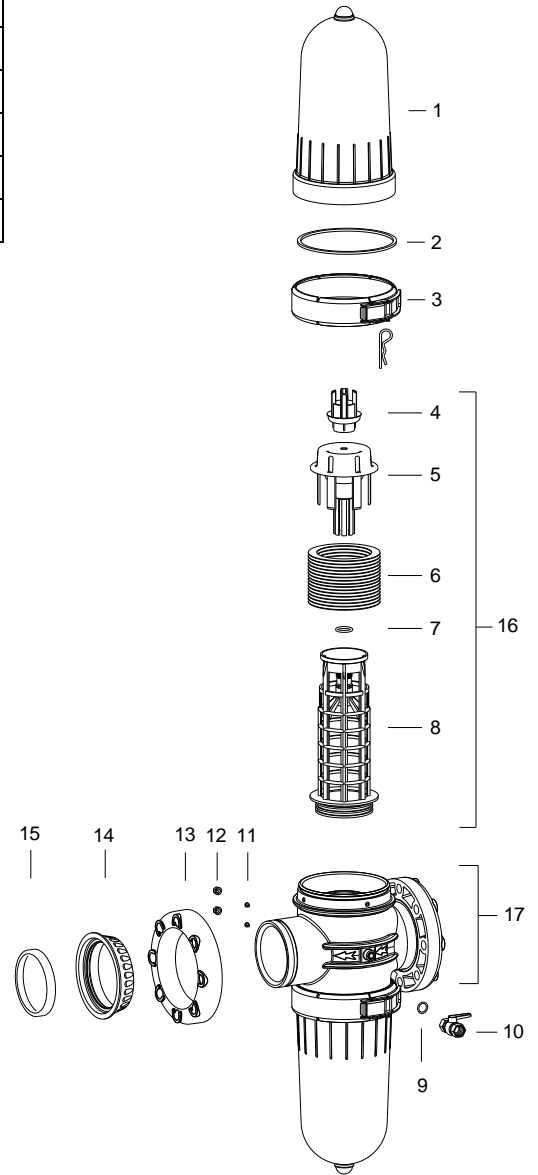
1. Flange: Bolt length – recommended 5/8" 100-110mm. Use standard washers.
2. 3/4" drain valve to be assembled by the user. The valve is sealed by an o-ring. No need for additional sealing materials.

### Technical Data

Inlet/Outlet diameter	160 mm	6"
Max. pressure	10 bar	145 psi
Max. flow rate 400-100 micron	160 m <sup>3</sup> /h	704 gpm
Filtration area	3704 cm <sup>2</sup>	574 in <sup>2</sup>
Filtration volume	3548 cm <sup>3</sup>	216 in <sup>3</sup>
Filter length	1190 mm	47"
Filter width	330 mm	13"
Distance between connections	415 mm	16.3"
Weight	26 Kg	57.2 lbs
Maximum temperature	60° C	140° F
pH	2-13 (at 20°C)	2-13 (at 68°F)

### Part List

No.	Cat. No.	Description	Materials
1.	710101-000057	Filter cover	PP
2.	770104-000254	Hydraulic seal	EPDM
3.	760108-000135	Clamp	SS
4.	710101-000108	3"-4" spine tightening nut	RPP
5.	710103-000374	3"-4" spine cap	RPP
6.	700101-000___	Disc set	PP
7.	770102-000028	O-ring 2-220	EPDM
8.	710101-000074	3"-4" spine 99	RPP
9.	770102-000043	O-ring 2-311	EPDM
10.	730104-000231	3/4" ball valve	BRASS
11.	770104-000045	Gauge port seal	EPDM
12.	710101-000148	Gauge port nut	RPP
13.	710101-000900	6" AK flange	RPA
14.	710101-000861	Flange clamp ring	POM
15.	770104-000036	Gasket 6" style 90	EPDM
16.	700101-00___	3"-4" filter element 99	
	700101-000233	3"-4" spine 99 (w/o disc set)	
17.	700190-000139	6" body complex victaulic ends	



### Materials:

RPP - Reinforced polypropylene

PP - Polypropylene

RPA - Polyamide

POM - Polyacetal

SS - Stainless Steel